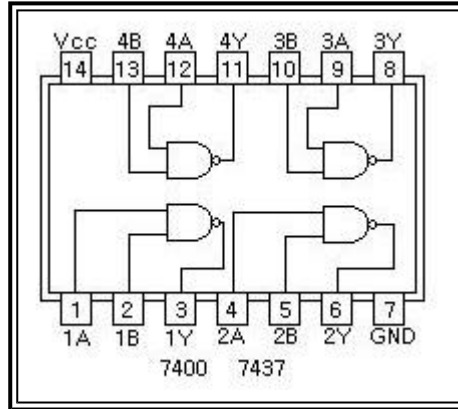
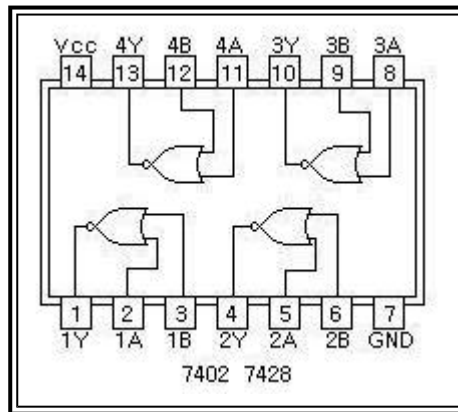


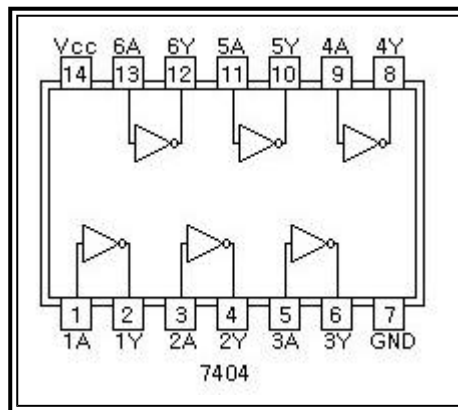
1. 7400(Quad 2 -Input NAND Gate) : NAND 4 가



2. 7402(Quad 2 -Input NOR Gate) : NOR 4 가 IC

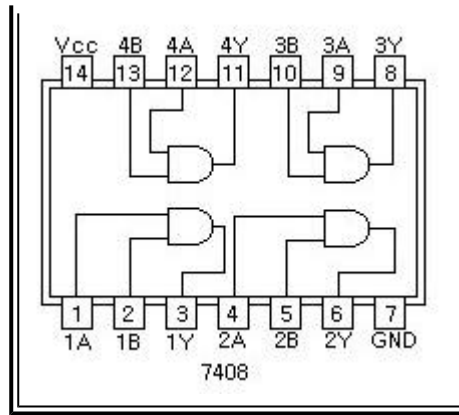


3. 7404(Hex Inverte) : 6 가 IC

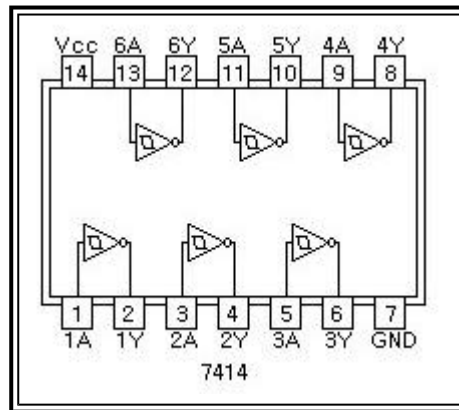


4. 7408(Quad 2 -Input AND gate) : 2 AND 4 가 IC

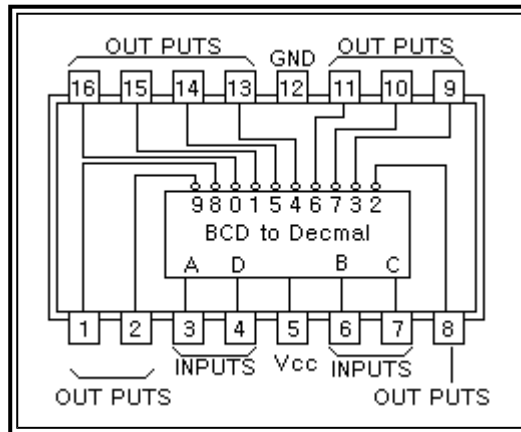




5. 7414(Hex) : 가 6 가 IC

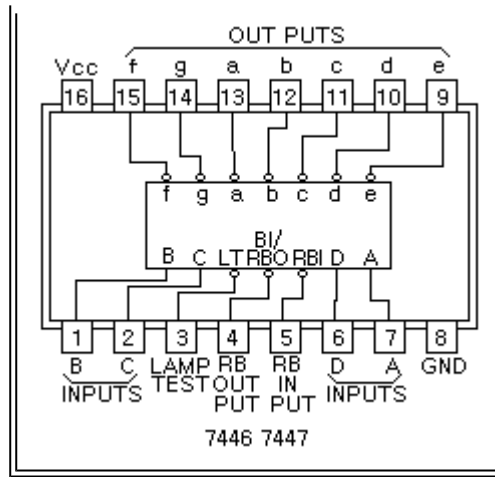


6. 7441 - BCD to Decimal Decoder/Driver : BCD , 10

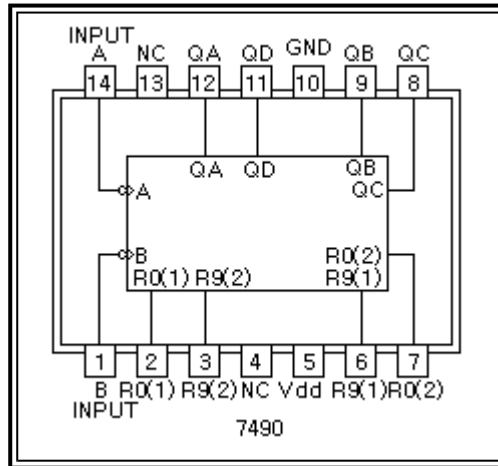


7. 7446(7447) - BCD to 7 Segment Decoder/Driver : BCD 7 Segment LED
 7446 15V, 7447 30V 7446 74246, 7447 74247 6,9
 가

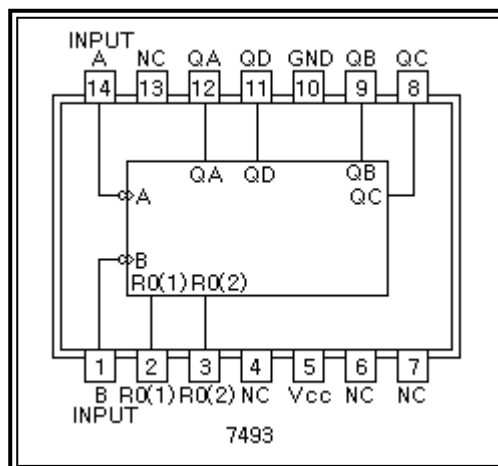




8. 7490 - Decade Counter : 2 + 5 , Preset 9, clear

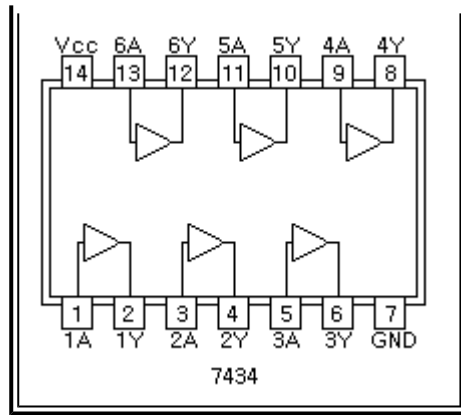


9. 7493 - 4 Bit Binary Couter : 2 + 8 (16) , clear



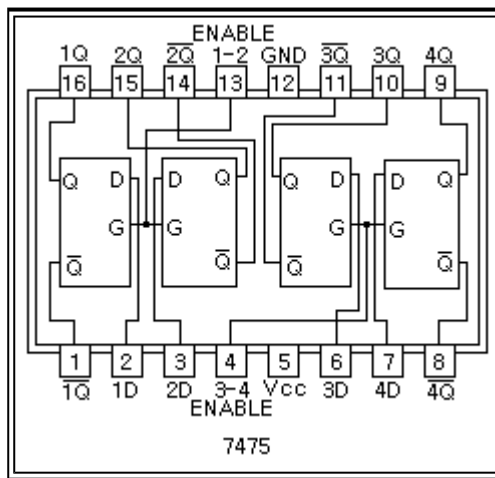
10. 7434 - Hex Buffer : 6 가 IC



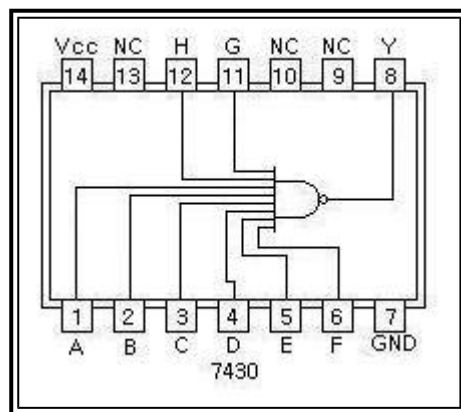


11. 7475 - 4 Bit Latches : ENABLE H hold

, ENABLE L

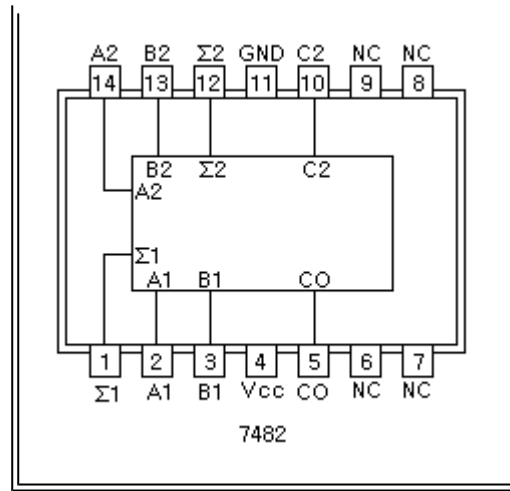


12. 7430 - 8 Input NAND : 8 NAND

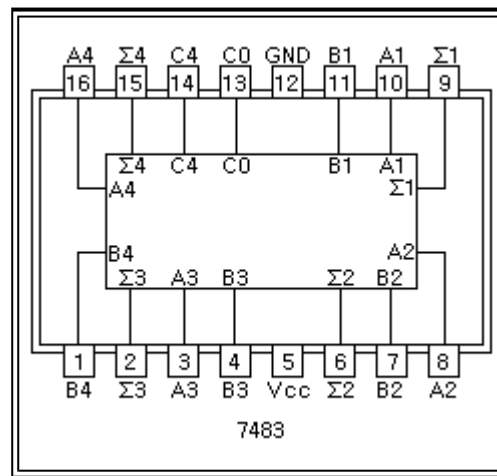


13. 7482 - 2 Bit Full Adder : 2





14. 7483 - 4 Bit Binary Full Adder : 4



15. 7484 - 16-Bit RAM (Open Collector) : 16 RAM, 7481 W1, W0 2 NAND

